

FELSA

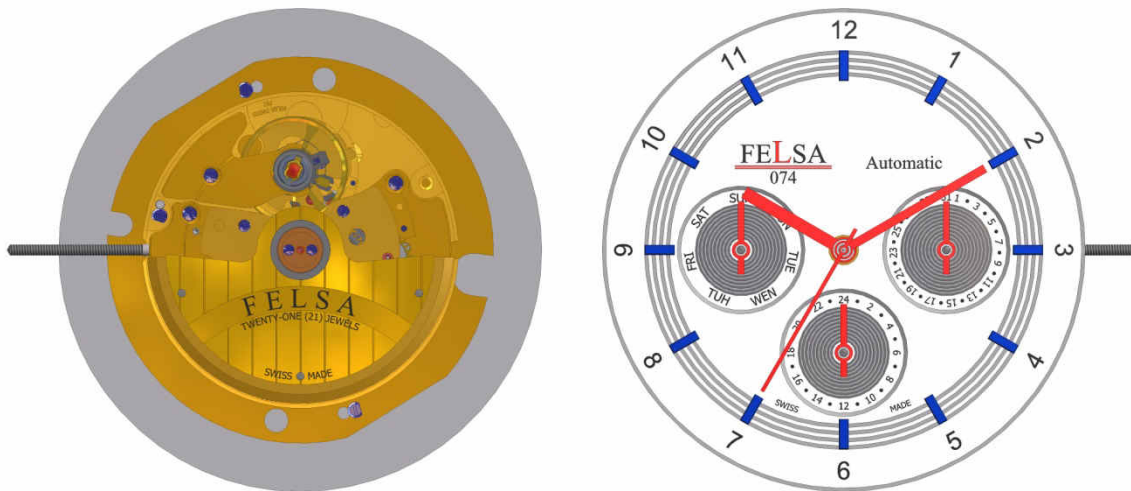
SWISS S.A.

Fabrique d'Ebauches Leschot S.A.

CAL. 715.074

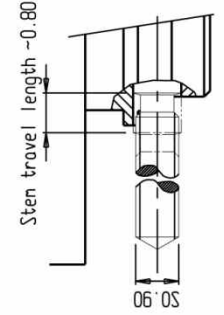
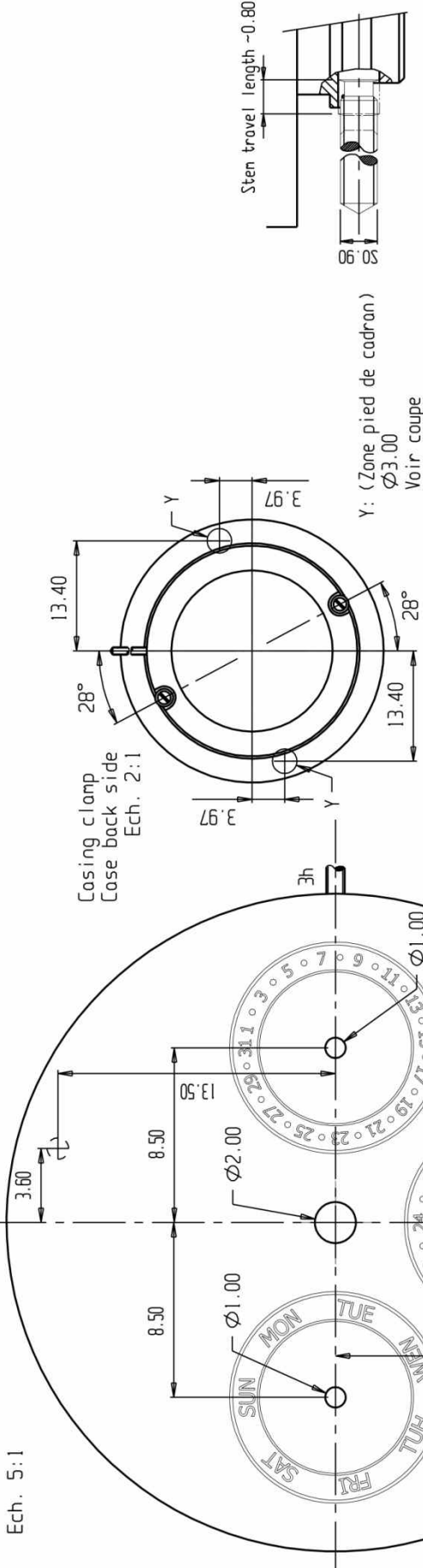
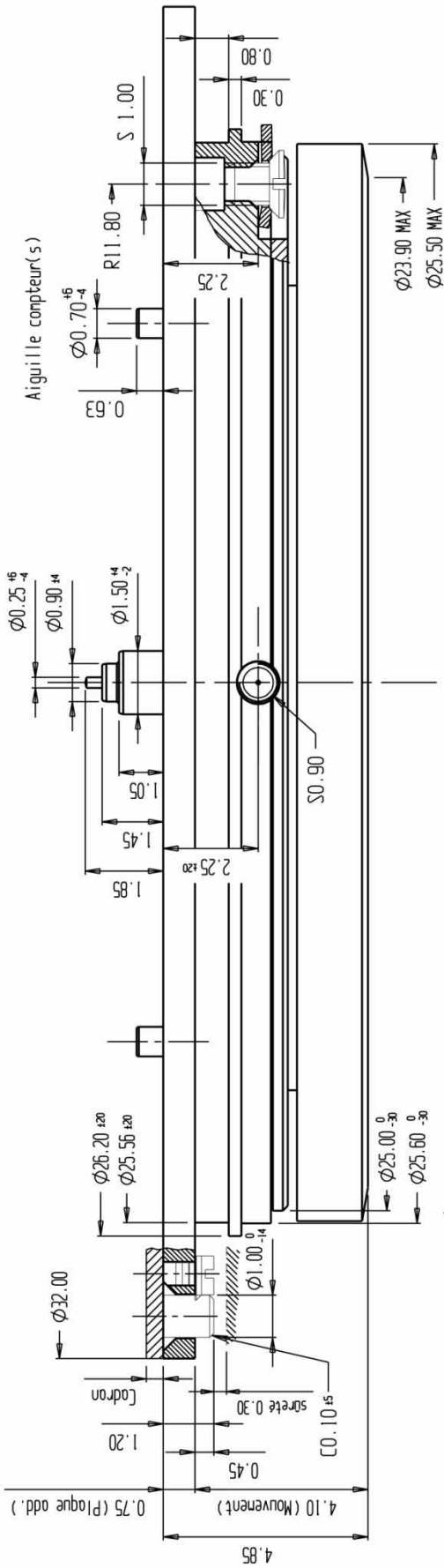
**AUTOMATIC, DAY, DATE AND 24H,
21 JEWELS – SWISS MADE**

**Lever movement, sweep second with self-winding mechanism, jewel bearing,
day, date and 24H indicator, frequency 4 Hz
(28'800 A/h 'vibrations per hour').**



TECHNICAL SPECIFICATIONS

1. Outside Diameter	: 32.00 mm
2. Casing Diameter	: 25.60 mm
3. Stem height / Thickness	: 2.25 mm / 4.85 mm
4. Frequency	: 4Hz; 28'800 beats per hour
5. Power Reserver	: mini. 42 hours
6. Accuracy	: -5 /+20 sec per day
7. Jewels	: 21
8. Shock absorbing devices	: 2
9. Amplitude	: T24 mini. 200°
10. Winding / Settings 2 positions	: 1) winding; 2) time setting



CORRECTIONS		Matière et traitement :		Echelle		Nb. Pc.	
No	DECISIONS/DATE	VISA		10:1			1
01		(batail pied cadron)	K.R.	COTES EN MILLIMETRES			
TERMINAISON :				TOLERANCES EN MICRONS			
DIVERS : Toi générale ± 10				CAL		DATE	
Cage pour boite				715		07.12.16	
Frame for case				11 1/2" / Ø32mm		K.R.	
PLAN/DWG CK/Edité				PIECE No/PART No		EXECCODEF	
71590HAB01				71590000		74	
FIELSA				Fabrique d'Ebauches Leschat S.A.			